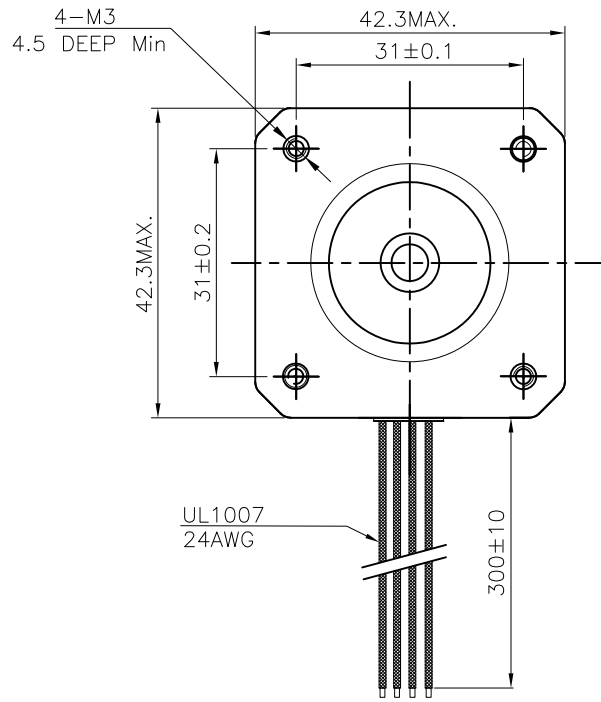
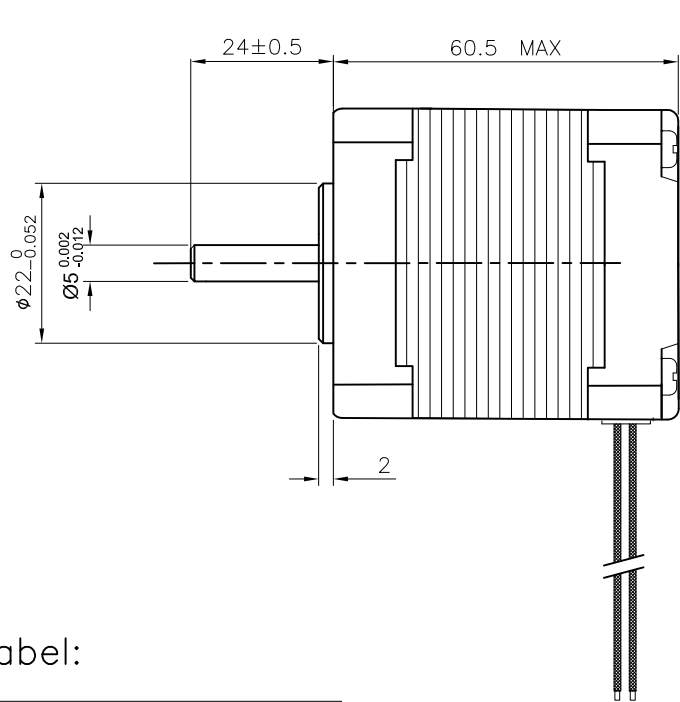


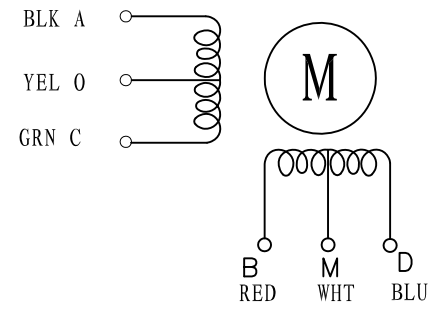
1 2 3 4 5 6

A

A



DIAGRAM



Label:

1.8° Stepper Motor
LDO-42STH60-1206A
121127 LDO MOTORS

B

B

C

C

Items	Specs	Items	Specs						
Phase Number	2 phases	Step Angle	1.8° ±5%						
Rated Voltage	7.2 VDC	Rated Current	DC 1.2 A / Phase	A		New Release	Danny X	J. B.	11. 27. 12
Resistance(20°C)	6±15% Ω / phase	Inductance	7±20% mH / Phase	REV	ECN NO	Description	Made by	Approve	Date
Holding Torque	≥6.5 Kgf.cm	Detent Torque	280 g.cm REF.				LDO MOTORS CO.,LTD		
Rotate Direction	ACBD CW	MAX Starting PPS	2500 PPS			Scale	Hybrid Stepper Motor		
MAX slewing PPS	≥ 2500 PPS	Insulation Resistance	≥ 100 MΩ (DC 500V)				LDO-42STH60-1206A		
HI POT	AC600V/1mA/1S	Insulation Class	Class B						
Rotor Inertia	102 g.cm ²	Weigth	0.5 Kg REF.	Des.	Check	Appr.	Date	Factory Code	page

1 2 3 4 5 6

D

D